

TC016 SERIES

LED TACT SWITCH



Feature -


- noiseless, conductive rubber
- light click feeling
- bi-color LED illuminated available
- long life cycles

Application -

- audio / video products
- instrumentation
- communication equipments

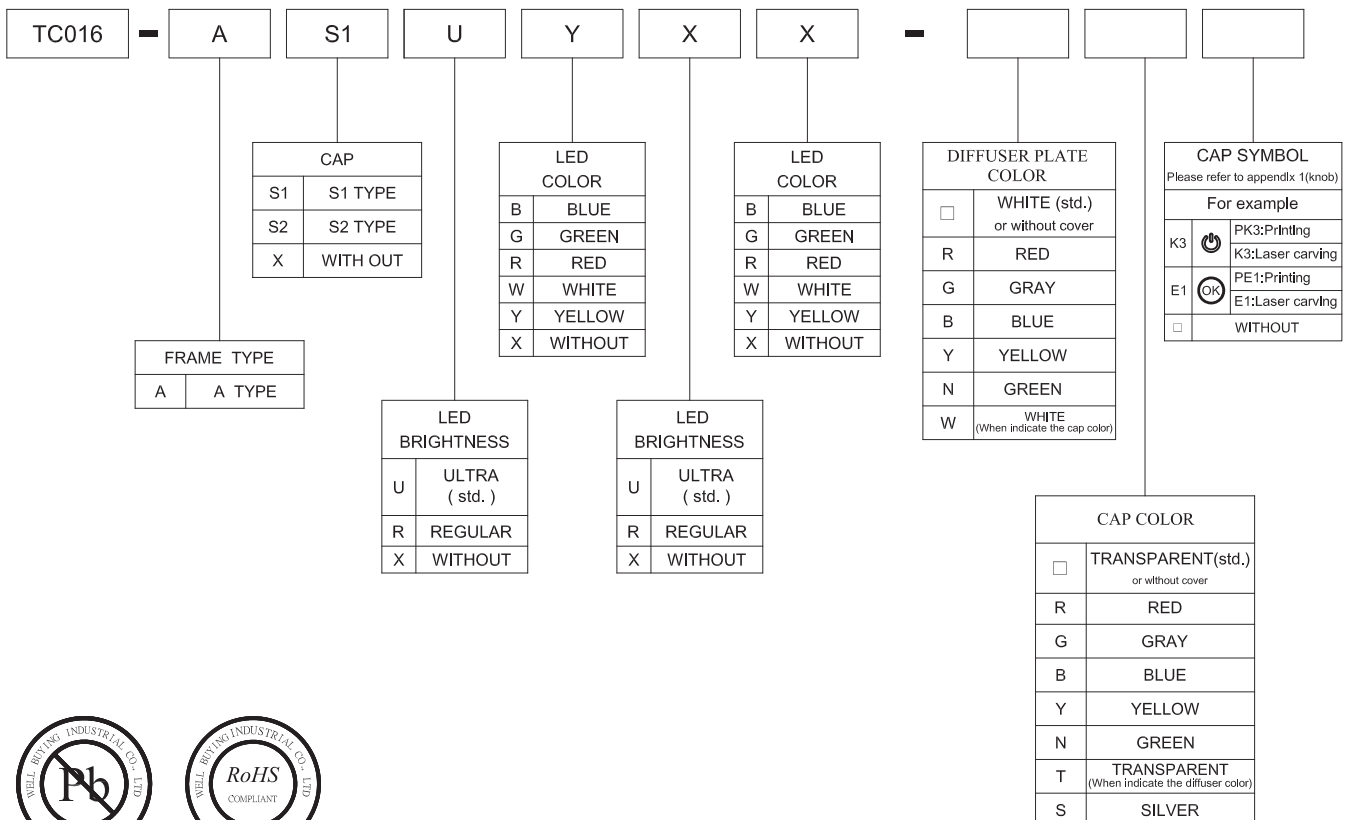
► SPECIFICATIONS

SWITCH SPECIFICATIONS	
POLE - POSITION	OFF - <ON> for Momentary Type , SPST
CONTACT RATING	1mA 20V DC
CONTACT RESISTANCE	200Ω MAX.
INSULATION RESISTANCE	100 MΩ min. 100 V DC
DIELECTRIC STRENGTH	Breakdown is not Allowable ; 250 V AC for 1 Minute
OPERATING FORCE	160 ± 40 gf
OPERATING LIFE	500,000 cycles
OPERATING TEMPERATURE RANGE	-20°C ~ 70°C
TOTAL TRAVEL	1.6 ± 0.3 mm

LED SPECIFICATIONS						
ATTENTION  LEDs are Electrostatic Sensitive devices	(+)-○-○(-)	Unit	Value / LED Color			
			Ultra Green	Ultra Yellow	Ultra Red	
FORWARD CURRENT	If	mA	20	20	20	
REVERSE VOLTAGE	Vr	V	5.0	5.0	5.0	
REVERSE CURRENT	Ir	μA	10	10	10	
FORWARD VOLTAGE@20mA	Vf	V	2.1-2.5	2.0-2.5	2.0-2.5	
LUMINOUS INTENSITY@20mA	Iv	mcd	60	120	150	

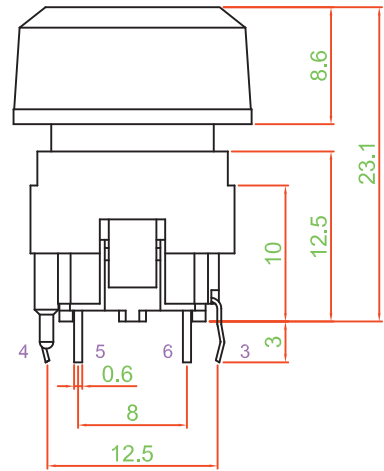
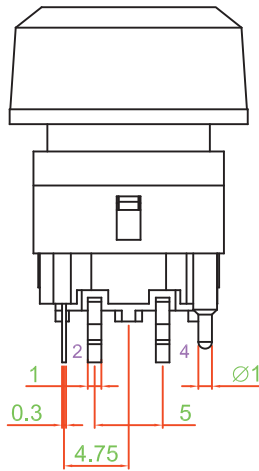
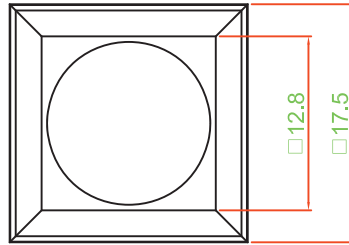
■ Physical and electrical information of LED will be provided upon customer's request on switches .

► HOW TO ORDER

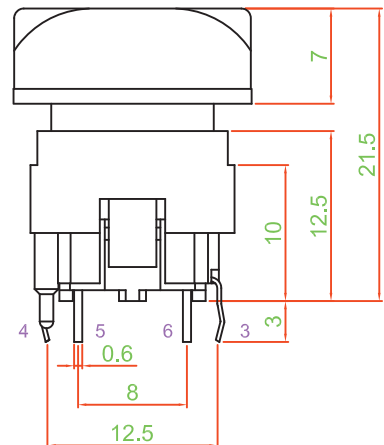
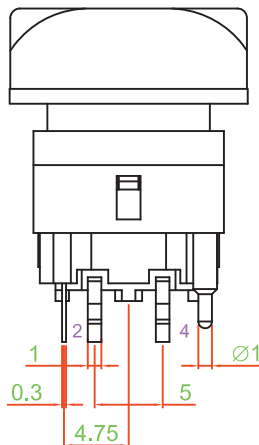
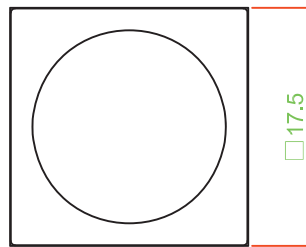


► DIMENSION

TC016-AS1 □ □ □ □



TC016-AS2 □ □ □ □

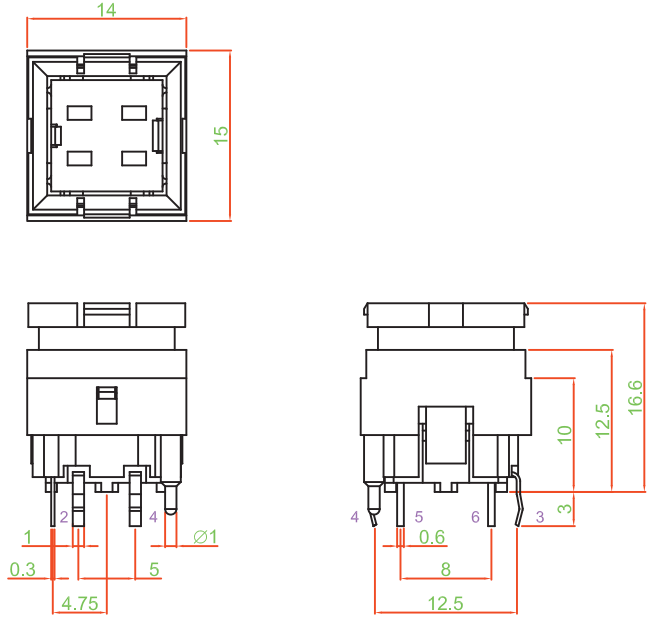


TC016 SERIES

LED TACT SWITCH

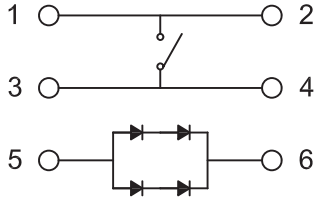
► DIMENSION

TC016-AX□□□□

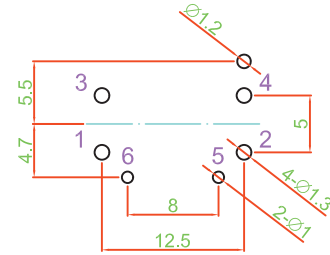


► CIRCUIT

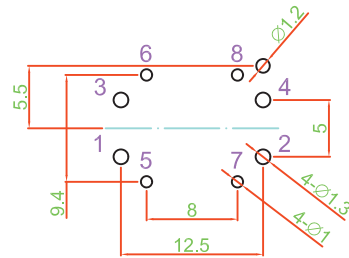
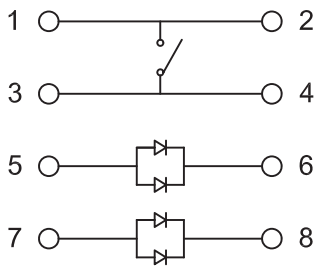
SINGLE LED COLOR



► P.C.B LAYOUT



DUAL LED COLOR



► MATERIAL

- ACTUATOR : POM
- TERMINAL : BRASS GOLD PLATING
- FRAME : STEEL PLATE
- SPRING : STAINLESS STEEL

► UNIT WEIGHT

- TC016-AXUYXX : 2.2 ± 0.05 g / pc
- TC016-AS1UYXX : 3.8 ± 0.05 g / pc
- TC016-AS2UYXX : 3.8 ± 0.05 g / pc

